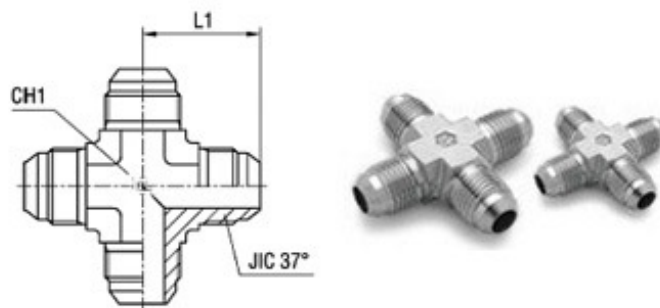




Cross



\varnothing Tube M	\varnothing Tube W	LI	CH1	JIC 37°
6	1/4	23	11	7/16-20
8	5/16	24	14	1/2-20
10	3/8	27,5	14	9/16 -18
12	1/2	32	19	3/4-16
14-15-16	5/8	37	22	7/8-14
18-20	3/4	42	27	1 1/16-12
25	1	46	33	1 5/16-12

Fluid Fit Engineers

Unit 11, Pereira Compound, Near Vaishali Nager, S. V. Road

Mumbai-400 102, Maharashtra (India)