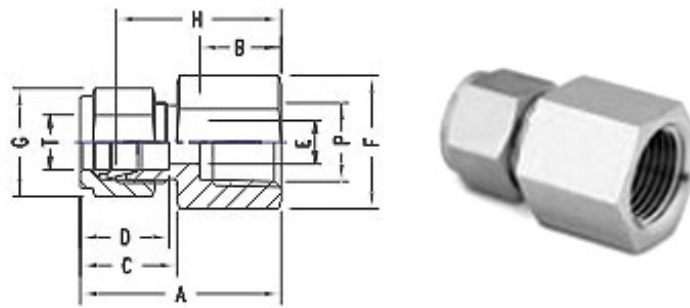




Female Connector RG Type



INCH OD Tubes X Female NPT Threads

T Tube OD	P ISO Female	A	B	C	D	E min.	F A/F	G A/F	H
1/4	1/4	37.6	13.0	17.8	15.3	4.8	19	14	30.2
1/4	3/8	37.6	14.2	17.8	15.3	4.8	24	14	30.2
1/4	1/2	43.4	18.8	17.8	15.3	4.8	27	14	36.0
5/16	1/4	38.4	13.0	18.5	16.3	6.0	19	16	31.0
5/16	1/2	40.9	18.8	18.5	16.3	7.1	27	16	33.6
3/8	1/4	39.2	13.0	19.3	16.8	6.0	19	17	31.8
3/8	3/8	38.6	14.2	19.3	16.8	6.6	24	17	31.2
3/8	1/2	41.9	18.8	19.3	16.8	7.1	27	17	34.5
1/2	3/8	44.5	14.2	21.8	22.9	6.6	24	22	34.3
1/2	1/2	48.3	18.8	21.8	22.9	7.1	27	22	38.1

Fluid Fit Engineers

Unit 11, Pereira Compound, Near Vaishali Nager, S. V. Road

Mumbai-400 102, Maharashtra (India)