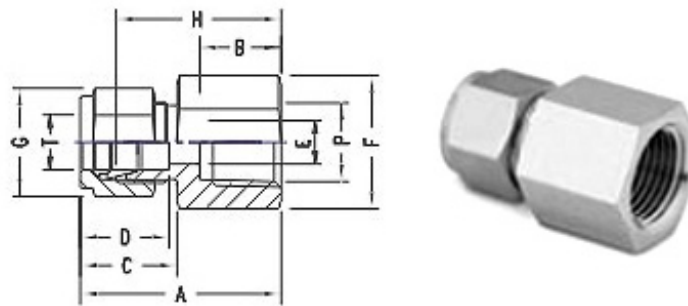




## Female Connector RG Type



### METRIC OD Tubes x Female NPT Threads

T Tube OD	P ISO Female	A	B	C	D	E min.	F A/F	G A/F	H
3	1/4	35.3	12.9	15.3	12.9	2.4	19	11	28.7
6	1/4	37.6	12.9	17.7	15.3	4.8	19	14	30.2
6	3/8	37.6	14.1	17.7	15.3	4.8	24	14	30.2
6	1/2	43.5	18.9	17.7	15.3	4.8	27	14	36.1
8	1/4	38.5	12.9	18.6	16.2	5.5	19	16	31.0
8	3/8	36.2	14.1	18.6	16.2	6.5	24	16	28.7
8	1/2	41.0	18.9	18.6	16.2	7.1	27	16	33.5
10	1/4	39.4	19.5	19.5	17.2	5.5	19	19	31.8
10	3/8	38.8	19.5	19.5	17.2	6.5	24	19	31.2
10	1/2	42.1	19.5	19.5	17.2	7.1	27	19	34.5
12	1/4	41.9	12.9	22.0	22.8	5.5	22	22	31.8
12	3/8	44.4	14.1	22.0	22.8	6.5	24	22	34.3
12	1/2	48.2	18.9	22.0	22.8	7.1	27	22	38.1

## Fluid Fit Engineers

Unit 11, Pereira Compound, Near Vaishali Nager, S. V. Road

Mumbai-400 102, Maharashtra (India)