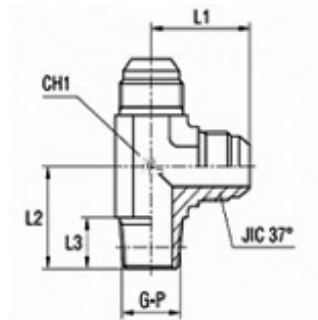




## Male Run Tee



$\varnothing$ Tube M	$\varnothing$ Tube W	G	L1	L2	L3	CH1	JIC 37°
6	1/4	1/8	23	20	10	11	7/16-20
8	5/16	1/8	24	20	10	14	1/2-20
10	3/8	1/4	27,5	28	14,5	14	9/16-18
12	1/2	3/8	32	31	14,5	19	3/4-16
14-15-16	5/8	1/2	37	37,5	19	22	7/8-14
18-20	3/4	3/4	42	40	19	27	1 1/16-12
25	1	1	46	50	24	33	1 5/16-12

## Fluid Fit Engineers

Unit 11, Pereira Compound, Near Vaishali Nager, S. V. Road

Mumbai-400 102, Maharashtra (India)