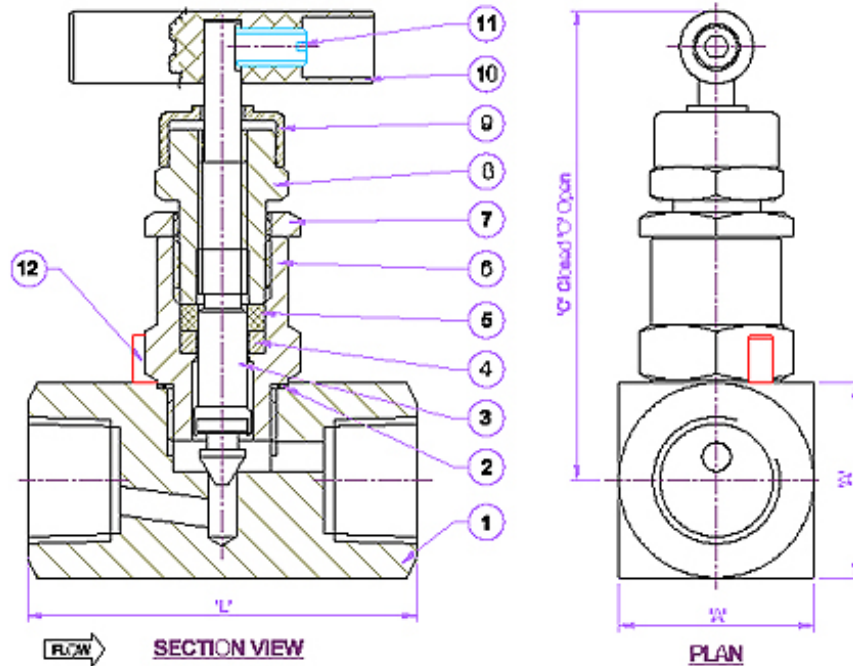




Screwed Bonnet Needle Valve (Bar Stock)



Technical Specification

- SCREWED BONNET DESIGN.
- BONNET : BACK SEATED BLOW OUT PROOF.
- SPINDLE : GROUND AND THREAD ROLLED. PACKING BELOW THREAD.
- SPINDLE TIP : NON-ROTATING TIP SHUT
- OFF TYPE & SOFT SEATED.
- DUST CAP : DUST CAP PROTECTS STEM THREADS FROM EXTERNAL CONTAMINATION.
- END CONNECTION : NPT, BSPT, BSPP & SOCKET WELD.
- WORKING PRESSURE : 6000 Psi (413 Bar)
- TEMPERATURE RATING : PTFE 450° F(232°C) GRAFOIL 700° F (371° C)
- MATERIAL OF CONSTRUCTION : SS 316L, SS 316, SS 304, CS, HASTELLOY, MONEL.
- OPTIONAL SOUR GAS SERVICE VALVES ARE AVAILABLE CONFIRMING TO NACE MR-01-75
- STEM PACKING : PTFE, GRAFOIL.
- ALL VALVES ARE 100% FACTORY TESTED.

Material List

P.NO.	PART NAME	CITY.	MATERIAL
1	VALVE BODY	1	ASTMA182F316
2	BONNET SEAL	1	SS.
3	STEM (TIP)	1	SS316(AISI-316)
4	WASHER	1	SS316(AISI-316)
5	PACKING	1	TEFLON
6	BONNET	1	SS316(AISI-316)
7	CHECK NUT	1	SS316(AISI-316)
8	BONNET PUSHER	1	SS316(AISI-316)
9	DUST CAP	1	LDPE
10	HANDLE	1	SS304
11	GRUB SCREW	1	SS.
12	LOCK PIN	1	S.S.

Dimension Table

SIZE	ORIFICE	A	B	C	O
1/4"	3.5(0.14")	25(0.98")	55(2.16")	74(2.91")	79(3.11")
3/8"	3.5(0.14")	25(0.98")	55(2.16")	74(2.91")	79(3.11")
1/2"	4.8(0.19")	32(1.26")	62(2.44")	77(3.03")	82(3.23")
3/4"	6.4(0.25")	38(1.50")	62(2.44")	80(3.15")	85(3.35")
1"	9.5(0.37")	42(1.65")	80(3.15")	82(3.23")	87(3.42")

Fluid Fit Engineers

Unit 11, Pereira Compound, Near Vaishali Nager, S. V. Road

Mumbai-400 102, Maharashtra (India)