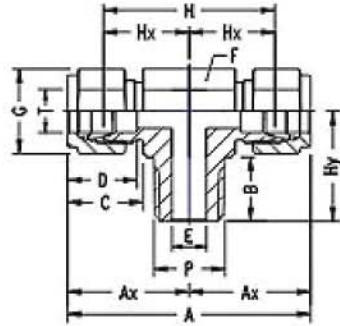




## Male Branch Tee



### METRIC OD Tubes X Male NPT Threads

T Tube OD	P NPT Female	Fluid Fit Part No.	A	B	C	D	E min.	F A/F	G A/F	HX	Hy
3	1/8	MBTM-3-2N	23.6	9.6	15.3	12.9	2.4	11	11	17.0	17.8
3	1/4	MBTM-3-4N	24.6	14.3	15.3	12.9	2.4	14	11	18.0	23.4
6	1/8	MBTM-6-2N	27.0	9.6	17.7	15.3	4.8	14	14	19.6	18.8
6	1/4	MBTM-6-4N	27.0	14.3	17.7	15.3	4.8	14	14	19.6	23.4
6	3/8	MBTM-6N	29.8	14.3	17.7	15.3	4.8	19	14	22.4	26.2
6	1/2	MBTM-6-8N	31.8	19.1	17.7	15.3	4.8	22	14	24.4	33.0
8	1/8	MBTM-8-2N	28.8	9.6	18.6	16.2	4.8	14	16	21.3	19.8
8	1/4	MBTM-8-4N	28.8	14.3	18.6	16.2	6.3	14	16	21.3	24.4
8	3/8	MBTM-8-6N	30.6	14.3	18.6	16.2	6.3	19	16	23.1	26.2
8	1/2	MBTM-8N	32.6	19.1	18.6	16.2	6.3	22	16	25.1	33.0
10	1/8	MBTM-10-2N	31.5	9.6	19.5	17.2	4.8	17	19	23.9	21.6
10	1/4	MBTM-10-4N	31.5	14.3	19.5	17.2	7.1	17	19	23.9	26.2
10	3/8	MBTM-10-6N	31.5	14.3	19.5	17.2	7.9	19	19	23.9	26.2
10	1/2	MBTM-10-8N	33	19.1	19.5	17.2	7.9	22	19	25.9	33.0
12	1/4	MBTM-12-4N	36.0	14.3	22.0	22.8	7.1	22	22	25.9	26.2
12	3/8	MBTM-12-6N	36.0	14.3	22.0	22.8	9.5	22	22	25.9	38.2
12	1/2	MBTM-12-8N	36.0	19.1	22.0	22.8	9.5	22	22	25.9	33.0
12	3/4	MBTM-12N	39.8	19.1	22.0	22.8	9.5	27	22	29.7	36.8
15	1/2	MBTM-15-8N	38.0	19.1	22.0	24.4	11.9	24	25	27.9	35.1
16	1/2	MBTM-16-8N	38.0	19.1	22.0	24.4	11.9	24	25	29.7	35.1
16	3/4	MBTM-16-12N	39.8	19.1	22.0	24.4	27.7	27	25	29.7	36.8
18	1/2	MBTM-18-8N	39.8	19.1	22.0	24.4	11.9	27	30	29.7	36.8
18	3/4	MBTM-18-12N	39.8	19.1	22.0	24.4	15.1	27	30	34.5	36.8
20	1/2	MBTM-20-8N	44.6	19.1	22.0	26.0	11.9	35	32	34.5	41.7
20	3/4	MBTM-20-12N	44.6	19.1	22.0	26.0	15.9	35	32	34.5	41.7

22	3/4	MBTM-22-12N	44.6	19.1	22.0	26.0	15.9	35	32	34.7	14.7
22	1	MBTM-22-16N	44.6	23.9	22.0	26.0	18.3	35	32	36.8	46.5
25	3/4	MBTM-25-12N	49.1	19.1	26.5	31.3	59.9	35	38	36.8	41.7
25	1	MBTM-25-16N	41.1	23.9	26.5	31.3	21.8	35	38	48.3	46.5

## Fluid Fit Engineers

Unit 11, Pereira Compound, Near Vaishali Nager, S. V. Road

Mumbai-400 102, Maharashtra (India)