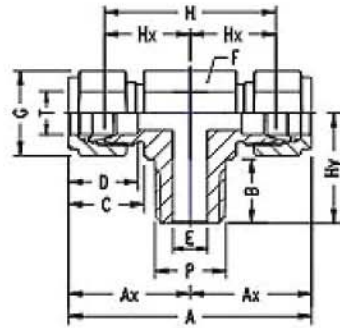




Male Branch Tee



INCH OD Tubes X Male NPT Threads

| T Tube OD | P ISO Male | Fluid Fit Part No. | A | B | C | D | E min. | F A/F | Fd | G A/F | H |
|-----------|------------|--------------------|------|------|------|------|--------|-------|------|-------|------|
| 1/16 | 1/16 | 1 MBT-N | 19.0 | 9.6 | 10.9 | 8.6 | 1.3 | 11 | 11 | 15.3 | 17.8 |
| 1/16 | 1/8 | 1-2 MBT-N | 19.0 | 9.6 | 10.9 | 8.6 | 1.3 | 11 | 11 | 15.3 | 17.8 |
| 1/8 | 1/8 | 2 MBT-N | 23.6 | 9.6 | 15.3 | 12.7 | 2.4 | 11 | 11 | 17.0 | 17.8 |
| 1/8 | 1/4 | 2-4 MBT-N | 24.6 | 14.3 | 15.3 | 12.7 | 2.4 | 14 | 11 | 18.0 | 23.4 |
| 1/4 | 1/8 | 4-2 MBT-N | 26.9 | 9.6 | 17.8 | 5.3 | 4.8 | 14 | 14 | 19.6 | 18.8 |
| 1/4 | 1/4 | 4 MBT-N | 26.9 | 14.3 | 17.8 | 15.3 | 4.8 | 14 | 14 | 19.6 | 23.4 |
| 1/4 | 3/8 | 4-6 MBT-N | 29.7 | 14.3 | 17.8 | 15.3 | 4.8 | 19 | 14 | 22.4 | 26.2 |
| 1/4 | 1/2 | 4-8 MBT-N | 31.8 | 19.1 | 17.8 | 15.3 | 4.8 | 22 | 14 | 24.4 | 33.0 |
| 5/16 | 1/4 | 5-4 MBT-N | 28.7 | 9.6 | 18.5 | 16.3 | 6.3 | 14 | 16 | 21.3 | 24.4 |
| 3/8 | 1/8 | 6-2 MBT-N | 30.5 | 9.6 | 19.3 | 16.8 | 4.8 | 14 | 17 | 23.1 | 20.9 |
| 3/8 | 1/4 | 6-4 MBT-N | 30.5 | 14.3 | 19.3 | 16.8 | 7.1 | 17 | 17 | 23.1 | 25.4 |
| 3/8 | 3/8 | 6 MBT-N | 31.2 | 14.3 | 19.3 | 16.8 | 7.1 | 19 | 17 | 23.9 | 26.2 |
| 3/8 | 1/2 | 6-8 MBT-N | 33.3 | 19.1 | 19.3 | 16.8 | 7.1 | 22 | 17 | 25.9 | 33.0 |
| 1/2 | 1/4 | 8-4 MBT-N | 36.0 | 14.3 | 21.8 | 22.9 | 4.8 | 22 | 22 | 25.9 | 28.2 |
| 1/2 | 3/8 | 8-6 MBT-N | 36.0 | 14.3 | 21.8 | 22.9 | 9.6 | 22 | 22 | 25.9 | 28.2 |
| 1/2 | 1/2 | 8 MBT-N | 36.0 | 19.1 | 21.8 | 22.9 | 10.4 | 22 | 22 | 25.9 | 33.0 |
| 1/2 | 3/4 | 8-12 MBT-N | 39.9 | 19.1 | 21.8 | 22.9 | 10.4 | 27 | 22 | 29.7 | 36.8 |
| 5/8 | 1/2 | 10-8 MBT-N | 38.1 | 19.1 | 21.8 | 24.4 | 11.9 | 24 | 25 | 27.9 | 35.0 |
| 3/4 | 1/2 | 12-8 MBT-N | 39.9 | 19.1 | 21.8 | 24.4 | 11.9 | 27 | 28.5 | 29.7 | 36.8 |
| 3/4 | 3/4 | 12 MBT-N | 39.9 | 19.1 | 21.8 | 24.4 | 15.8 | 27 | 28.5 | 29.7 | 36.8 |
| 7/8 | 3/4 | 14-12 MBT-N | 44.7 | 19.1 | 21.8 | 25.9 | 15.8 | 35 | 32 | 34.5 | 41.6 |
| 1 | 3/4 | 16-12 MBT-N | 49.0 | 19.1 | 26.4 | 31.2 | 15.8 | 35 | 38 | 36.8 | 41.6 |
| 1 | 1 | 16 MBT-N | 49.0 | 23.8 | 26.4 | 31.2 | 22.3 | 35 | 38 | 36.8 | 46.5 |

Unit 11, Pereira Compound, Near Vaishali Nager, S. V. Road
Mumbai-400 102, Maharashtra (India)