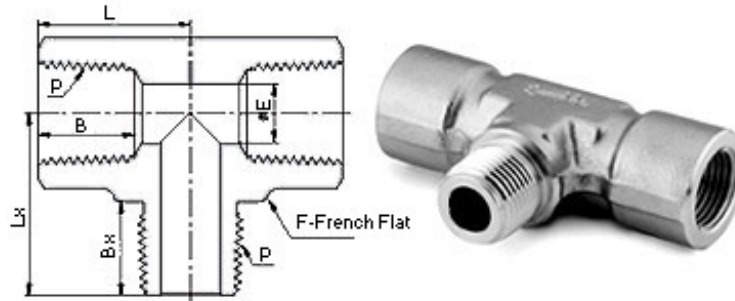




Male Branch Tee



Male Branch Tee

P-NPT Size (in.)	Basic Ordering Number	L	F	E Minimum Opening	B	Lx	Bx
1/16	BT-NS1	12.7	11.1	3.0	9.9	18.3	9.7
1/8	BT-NS2	16.8	14.3	4.8	10.4	19.8	9.7
1/4	BT-NS4	22.4	19.1	7.1	15.0	27.7	14.2
3/8	BT-NS6	25.7	22.2	9.7	15.0	31.0	14.2
1/2	BT-NS8	31.2	27.0	11.9	19.8	37.3	19.1
3/4	BT-NS12	34.5	33.5	15.7	20.6	40.4	19.1
1	BT-NS16	41.4	41.3	22.4	25.4	50.0	23.9

Fluid Fit Engineers

Unit 11, Pereira Compound, Near Vaishali Nager, S. V. Road

Mumbai-400 102, Maharashtra (India)