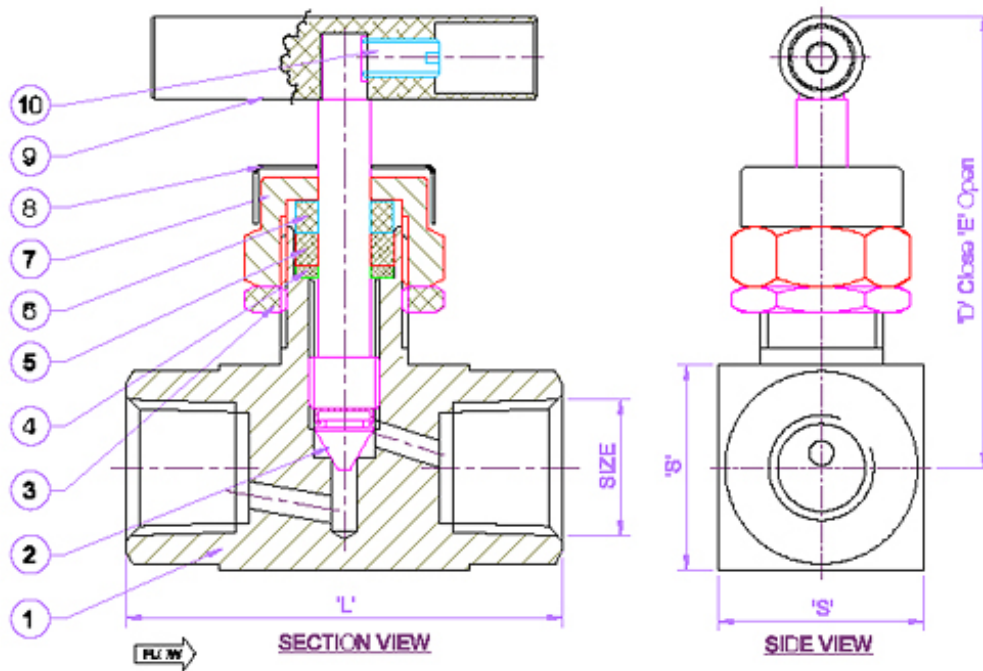




## Integral Bonnet Needle Valve Stright Type - FF



### Technical Specification

- INTEGRAL BONNET DESIGN.
- WORKING PRESSURE : 6000 Psi (413 Bar)
- STEM PACKING : PTFE, GRAFOIL.
- PANEL MOUNTING ON REQUEST.
- END CONNECTION : BSPP, BSPT, SAE, NPT.
- MATERIAL OF CONSTRUCTION : SS316, SS304, CS, HASTELLOY, MONEL
- TEMPERATURE RATING : PTFE 450° F (232° C) GRAFOIL 700° F (371° C )
- SPINDLE : GROUND AND THREAD ROLLED.
- DUST CAP PROTEDTS STEM THREADS FROM EXTERNAL CONTAMINATION.
- LEAK TIGHT SEAL WITH LOW OPERATING TORQUE.

### Material List

P.NO.	PART NAME	CITY.	MATERIAL
1	VALVE BODY	1	ASTMA276TP316
2	STEM (TIP)	1	SS 316 (AISI-316)
3	CHECK NUT	1	SS316(AISI-31B)
4	SPACER	1	SS 316 (AISI-316)
5	GLAND PACKING	1	TEFLON
6	GLAND	1	SS 316 (AISI-316)
7	GLAND NUT	1	SS 316 (AISI-316)
8	DUST CAP	1	LDPE
9	HANDLE	1	SS304
10	GRUB SCREW	1	s.s.

### Dimension Table

SIZE	ORIFICE	B	C	D	E
1/4"	3.5(0.14")	25.4(1")	50.8(2")	60(2.36")	65(2.56")
3/8"	3.5(0.14")	25.4(1")	50.8(2")	60(2.36")	65(2.56")
1/2"	4.8(0.19")	30(1.10")	68(2.60")	72(2.83")	00(3.15")
3/4"	6.4(0.25")	35(1.30")	60(2.60")	77(3.03")	05(3.35")
1"	9.5(0.37")	45(1.77")	80(3.15")	85(3.35")	95(3.74")

## Fluid Fit Engineers

Unit 11, Pereira Compound, Near Vaishali Nager, S. V. Road

Mumbai-400 102, Maharashtra (India)