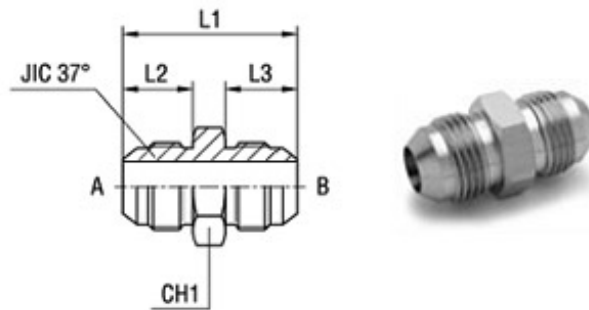




## Union



Ø Tube A <sup>M</sup>	Ø Tube B <sup>W</sup>	L1	L2	L3	CH1	JIC 37° A	JIC 37° B
6	1/4	35	14	14	12	7/16-20	7/16- 20
8	5/16	35	14	14	14	1/2-20	1/2-20
10	3/8	36	14,1	14,1	17	9/16-18	9/16-18
12	1/2	41	16,7	16,7	22	3/4-16	3/4-16
14-15-16	5/8	48	19,3	19,3	24	7/8-14	7/8-14
16-20	3/4	55	21,9	21,9	30	1 1/16-12	1 1/16-12
25	1	57	23,1	23,1	36	1 5/16-12	1 5/16-12

### Fluid Fit Engineers

Unit 11, Pereira Compound, Near Vaishali Nager, S. V. Road

Mumbai-400 102, Maharashtra (India)